

Grazia & Co

1 / 10-14 Advantage Road
Highett, Vic, 3190
Phone +61 3 9555 5760

20 / 108 Dunning Avenue
Rosebery, NSW, 2018
Phone +61 2 8914 0350

meadmore

Corded Armchair (1952)



Natural Cotton



Black



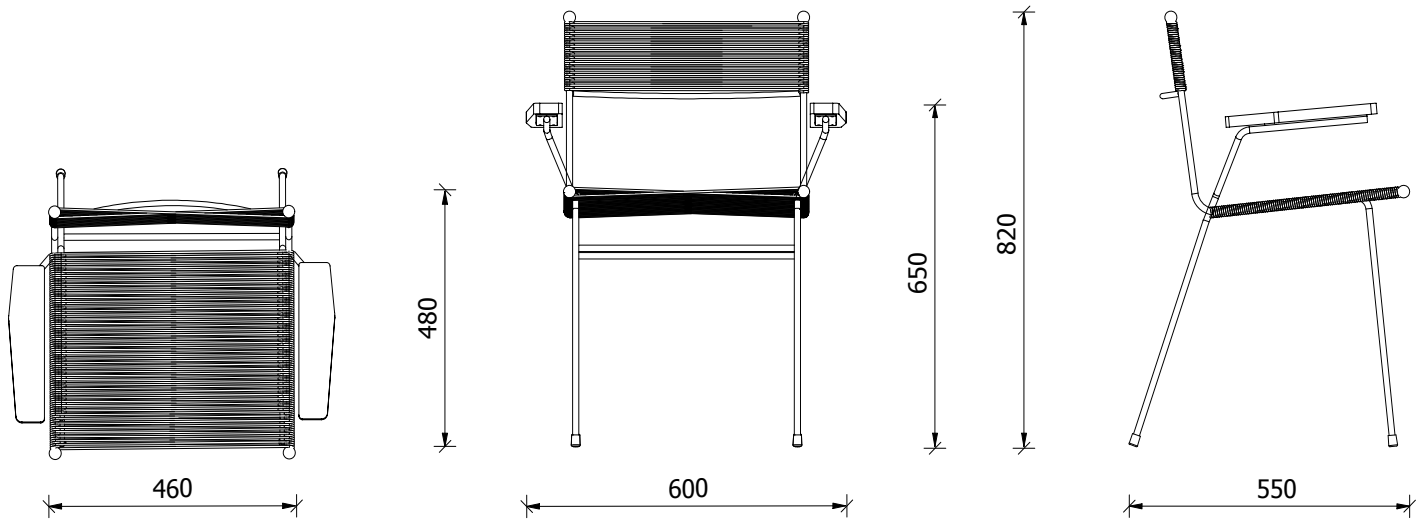
Spotted Gum

Designed by Clement Meadmore and made in Australia by Grazia & Co, the Corded Armchair is suitable for both indoor and outdoor use. The stainless steel frame is hand corded with marine grade polypropylene or natural cotton rope, and is available in a range of colours. Contoured solid timber armrests carved from Australian Spotted Gum.

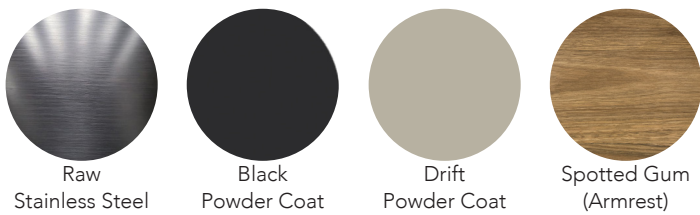
Craftsmanship:	Designed and manufactured in Australia.
Materials:	Stainless steel frame with hand corded polypropylene (exterior & interior use) or cotton (interior use) 4mm rope.
Lead time:	10 to 12 weeks. Lead times may vary during peak periods.
Suitability:	Indoor and outdoor (polypropylene rope only).
Warranty:	2 years*

grazia&co®

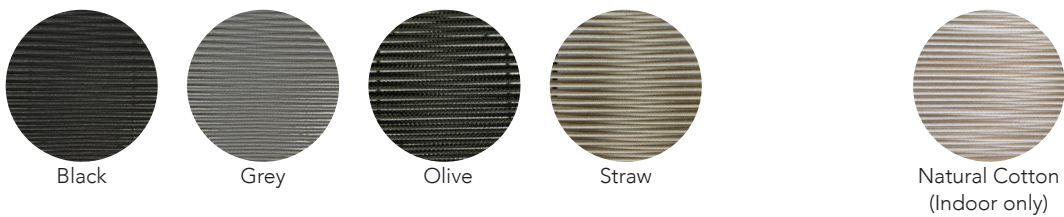
Technical specifications



Frame specifications



Upholstery specifications



Care, Maintenance & Warranty

To ensure the longevity and integrity of your Grazia & Co product, we recommend following our care and maintenance guidelines. For detailed care instructions, warranty information and maintenance recommendations specific to your product, visit: www.graziaandco.com.au/care-maintenance-warranty

* 2 years warranty on the structural integrity of the frame.



