

grazia&co melbourne
1 / 10-14 advantage road
highett, vic, 3190
phone +61 3 9555 5760

grazia&co sydney
20 / 108 dunning avenue
rosebery, nsw, 2018
phone +61 2 8914 0350

orla bedside table and chest of drawers



australian made timber veneer bedside tables and chest of drawers with feature curve corners and inset plinth base. double drawer to bed sides and triple drawer to tall boy, all with rubber handle detail.

grazia&co[®]

joinery specifications

timber veneer



frost



black



finnegan

handle specifications

handle option - rubber



rubber



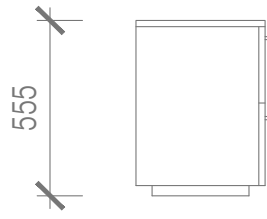
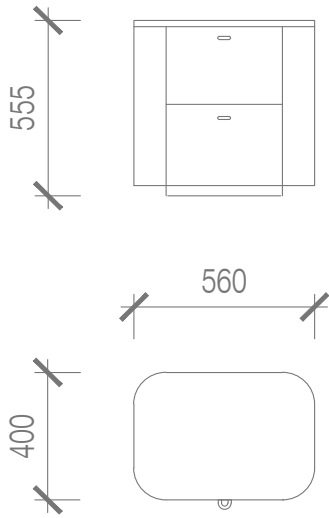
black

custom

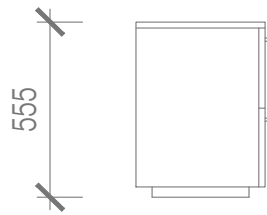
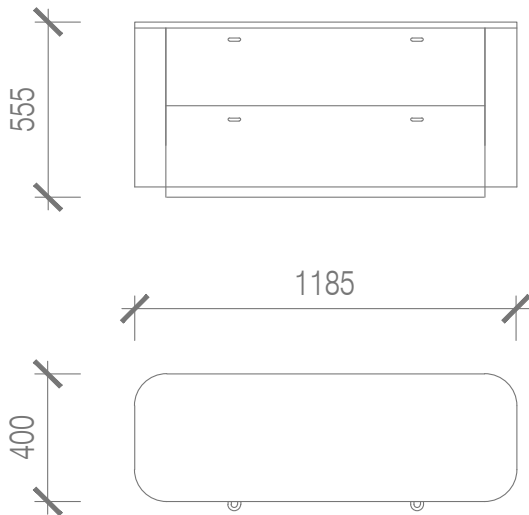
custom finishes as specified



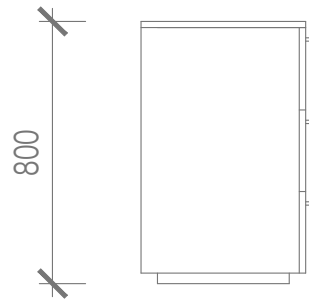
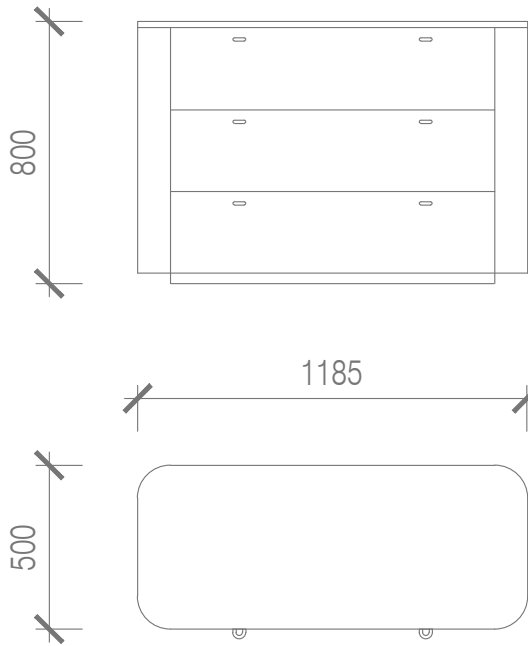
1 - bedside



2 - long bedside



3 - chest of drawers



design registration
bedside
no.202013057

long bedside
no.202013055

year released
2020

warranty

- i. warranty period of 2 years for the structural integrity of the furniture under "normal use"
- ii. natural materials like solid and veneer timbers can vary in colour, natural figuration and texture. these are not considered faults.
- iii. movement, joint separation, bowing as a result of fluctuations in temperature and any damage caused by direct sunlight are not warranted.
- iv. day to day use and wear and tear that can cause scratches, expansion, colour changes, chips, burns, splits are not warranted.
- v. painted and stained timber can chip. this is not warranted and considered as wear and tear through use of the item.

all terms outlined in this document are applicable exclusively to projects and orders that are based in australia. for warranty claims outside australia, please note that a 12 month warranty period will apply, all claims are to be taken up with the international selling agent. to view the full warranty please refer to the [grazia&co website](#).

craftmanship: designed and manufactured in australia

materials: timber veneer with specified stain or paint finish

lead time: this item is usually in stock. if not, 10-12 weeks. lead times may vary during peak periods

suitability: indoor use



timber veneer

grazia&co timber furniture is finished with a clear satin lacquer inclusive of an ultraviolet light protector. this may reduce the harsh effects of direct sunlight although cannot eliminate fading and discolouration completely. therefore, we do not recommend furniture be left in direct sunlight for long periods of time. avoid placing hot crockery on furniture surfaces which in turn may burn, discolour or lift binding agents. coasters, clothes and mats can be placed between the surface and the hot object. do not position furniture over or next to heating or electrical appliances. please ensure furniture is not exposed to excessive quantities of liquids or moisture which may absorb into the timber. this may result in movements of the timber, change in form, cracking or mould. if your furniture is being used as a writing surface, grazia&co recommends blotters or pads to prevent ball point pens leaving imprints in the timber top. objects resting against or on top of furniture should have some form of padding between the timber and the object. avoid bare metal or sharp pointed edges. a small amount of natural movement of the timber is expected as it adapts to the conditions of your home, due to variations in humidity and temperature.

to view the full care and maintenance please refer to the [grazia&co website](#).

