

grazia&co melbourne  
1 / 10-14 advantage road  
highett, vic, 3190  
phone +61 3 9555 5760

grazia&co sydney  
12b, 32 ralph street  
alexandria, nsw, 2015  
phone +61 2 8914 0350

## pillar dining table



the pillar dining table is an australian made pedestal table with various top options and powder coated double or triple metal column and disc base.

custom size and shape to pedestal and top available on request.

indoor and outdoor finishes available.

grazia&co<sup>®</sup>

## stone

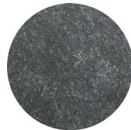


honed carrara



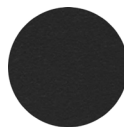
honed manhattan grey

*limited stock*



flamed zimbabwe

## powder coat



texture black



texture white



soft grey



mangrove



texture charcoal

## timber



black



dusk



natural oak



frost

## compact laminate



black



white

## laminated top with exposed ply edge



black



white

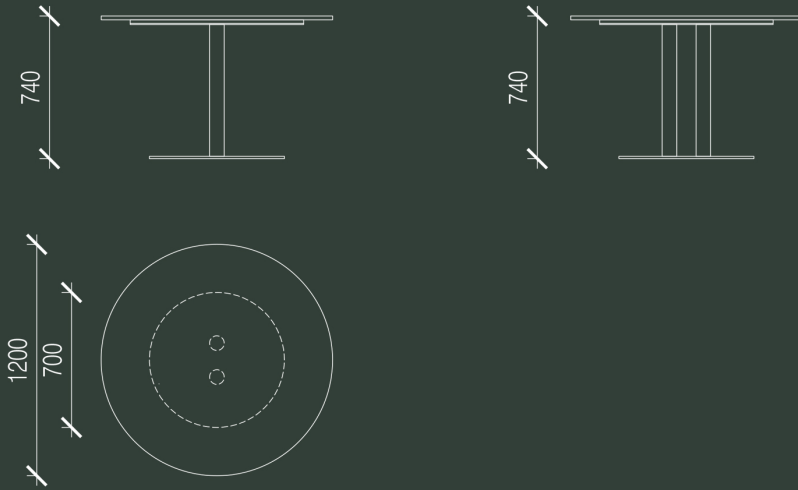
**note: 1400dia table is only available in stone or solid timber top**



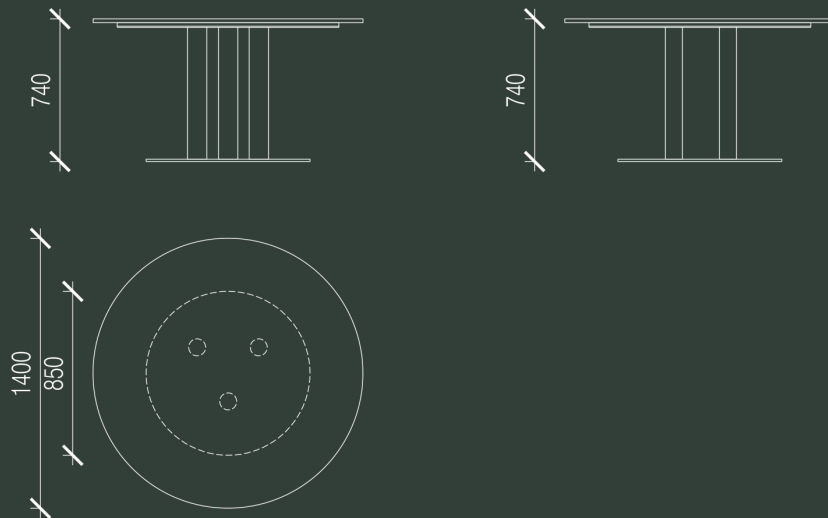
# technical specifications

---

1



2



**note: 1400dia table only available in stone or solid timber top**



year released  
2017

## warranty

### pillar indoor

- i. warranty period of 3 years for the structural integrity of the furniture under 'normal use'
- ii. chipping and scratches on powder coated metal due to wear and tear are not warranted
- iii. metal pieces that are not specific to outdoor use that are exposed to the elements are not warranted
- iv. raw metals oxidise and tarnish over time and are not considered faults of manufacturing
- v. all materials sourced by external and independent suppliers that have unique and specific warranty details that can be obtained as required on request.
- vi. broken, missing or ceased attachments like levelling feet, rubber stoppers and felt pads are not warranted.
- ii. natural materials like solid and veneer timbers can vary in colour, natural figuration and texture. these are not considered faults.
- iii. movement, joint separation, bowing as a result of fluctuations in temperature and any damage caused by direct sunlight are not warranted.
- iv. day to day use and wear and tear that can cause scratches, expansion, colour changes, chips, burns, splits are not warranted.
- v. painted and stained timber can chip. this is not warranted and considered as wear and tear through use of the item.

to view the full warranty please refer to the link below  
<https://graziaandco.com.au/grazia-terms-and-conditions/>

**craftmanship:** manufactured in australia

**materials:** metal columns and base with nominated top  
**lead time:** 8-10 weeks. lead times may vary during peak periods

**suitability:** available as indoor



australian  
made



3 year  
warranty

grazia&co<sup>®</sup>

year released  
2017

## warranty

### pillar outdoor

- i. warranty period of 1 year for the structural integrity of the furniture under 'normal use'
- ii. general wear and tear or changes in appearance and performance resulting from being exposed to the elements are not warranted.
- iii. fabric that fades or breakdown due to exposure to sunlight, uv or moisture are not warranted
- iv. all materials sourced by external and independent suppliers that have unique and specific warranty details that can be obtained as required on request.
- vi. broken, missing or ceased attachments like levelling feet, rubber stoppers and felt pads are not warranted.

to view the full warranty please refer to the link below  
<https://graziaandco.com.au/grazia-terms-and-conditions/>

**craftmanship:** manufactured in australia

**materials:** metal columns and base with nominated top  
**lead time:** 8-10 weeks. lead times may vary during peak periods

**suitability:** available as outdoor



australian  
made



1 year  
warranty

### **marble and granite**

grazia & co use various marbles, granites, bluestone and tiles. these stones are a natural product so the colour and veins can vary. these hard surfaces can be cleaned with warm soapy water. leaving food residue or liquid on the stone for an extended period can penetrate the stone and cause permanent staining. staining and chipping of the stone is not covered under the warranty and is considered general wear and tear.

### **solid timber and veneer**

grazia&co timber furniture is finished with a clear satin lacquer inclusive of an ultraviolet light protector. this may reduce the harsh effects of direct sunlight although cannot eliminate fading and discolouration completely. therefore, we do not recommend furniture be left in direct sunlight for long periods of time. avoid placing hot crockery on furniture surfaces which in turn may burn, discolour or lift binding agents. coasters, clothes and mats can be placed between the surface and the hot object. do not position furniture over or next to heating or electrical appliances. please ensure furniture is not exposed to excessive quantities of liquids or moisture which may absorb into the timber. this may result in movements of the timber, change in form, cracking or mould. if your furniture is being used as a writing surface, grazia&co recommends blotters or pads to prevent ball point pens leaving imprints in the timber top. objects resting against or on top of furniture should have some form of padding between the timber and the object. avoid bare metal or sharp pointed edges. a small amount of natural movement of the timber is expected as it adapts to the conditions of your home, due to variations in humidity and temperature.

### **compact laminate**

compact laminate is scratch resistant but not scratch proof. compact laminate products are easy to clean, solvent resistant and water resistant. dust with a soft cloth. clean stubborn marks with warm water and household detergent or window cleaner is also a good option. never use wool metallic scourers as these will scratch the compact laminate surface.

### **powder coated items care**

wash as required with warm soapy water using a soft clean cloth. for marine or commercial environments, we recommend regular cleaning. do not pressure wash or steam items that are powder coated. if powder coating chips due to a knock and / or rough treatment this is not covered by warranty. touch up paint can be purchased on request (depending on availability). scratches and chips should be repaired as soon as they appear.

*please visit [grazia&co website](#) for further details.*