

grazia&co melbourne  
1 / 10-14 advantage road  
highett, vic, 3190  
phone 03 9555 5760

grazia&co sydney  
12b, 32 ralph street  
alexandria, nsw, 2015  
phone 02 8914 0350

## millipede sofa



australian made fully upholstered ply sofa frame with loose seat back and side cushions. custom detailed solid steel rod base in specified powder-coat. custom length available on request.

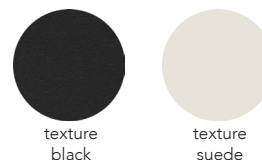
grazia&co<sup>®</sup>

## leather

semi aniline leather  
origin: italy



## metal - powdercoated steel

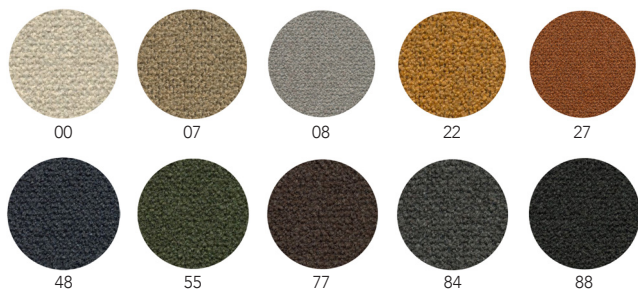


## custom

*upholstery as specified*

## boucle

composition: 28% acrylic / 24% cotton / 20% viscose / 16% wool / 12% polyester  
origin: netherlands



## velvet

composition: 39% cotton / 28% alpaca / 11% polyester / 9% wool / 7% nylon / 6% viscose.  
origin: italy



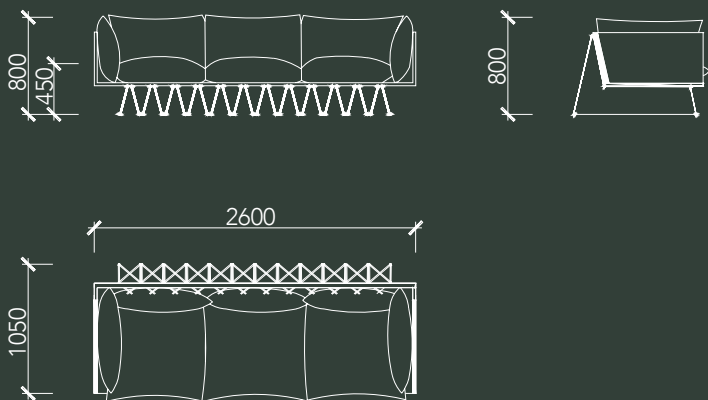
## linen weave

composition: 15% linen / 40% cotton / 20% viscose / 20% acrylic / 5% polyester  
origin: belgium



# technical specifications

---



# product specifications

---

## designer

russell & george  
in collaboration with  
grazia&co

## year designed

2016

## warranty

- i. warranty period of 2 years for the structural integrity of the furniture under 'normal use'
- ii. movement, joint separation, bowing as a result of fluctuations in temperature and any damage caused by direct sunlight are not warranted.
- iii. fabric and leather wear and tear are not warranted.
- iv. fabric and leather that has faded or broken down due to exposure to sunlight or extreme weather conditions is not warranted.
- v. care instructions and warranty claims of fabric to be addressed with the textile supplier or specifier.
- vi. it is the responsibility of the specifier and/or supplier that has selected and/or supplied a fabric or leather through 3rd party suppliers to ensure it is free of faults and fit for purpose and application.

all terms outlined in this document are applicable exclusively to projects and orders that are based in australia.

for warranty claims outside australia, please note that a 12 month warranty period will apply, all claims are to be taken up with the international selling agent.

to view the full warranty please refer to the link below  
<https://graziaandco.com.au/grazia-terms-and-conditions/>

**craftmanship:** manufactured in australia

**materials:** steel/timber ply & upholstery

**lead time:** if not in stock, 12-14 weeks

**suitability:** indoor use



australian  
made



2 year  
warranty

grazia&co<sup>®</sup>

## finishes & product care

---

### wool, cotton and polyester

protect from direct sunlight. vacuum regularly using low suction and soft brush attachment. professionally clean in accordance to the fabric suppliers' instructions. treat spills and stains as soon as possible with a clean damp cloth. dry in the shade, allow to dry thoroughly before use.



australian  
made



no direct  
sunlight



do not dry  
clean



do not  
machine  
wash



do not iron

grazia&co<sup>®</sup>