

grazia&co  
1 / 10-14 advantage road  
highett, vic, australia, 3190  
info@graziaandco.com.au

melbourne  
phone +61 3 9555 5760  
sydney  
phone +61 4 5555 1243

## dita stool



made in australia, the dita stool features a solid metal rod frame with a brass or stainless steel footrail and fully upholstered seat. available in range of powdercoat and upholstery options, the stool comes with or without a back.

grazia&co<sup>®</sup>

## leather



black

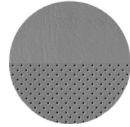


brindle

## house vinyl



navy  
plain/perf



grey  
plain/perf



black  
plain/perf



off white  
plain/perf

## vinyl



camel



saddle



pecan

## sheepskin



black



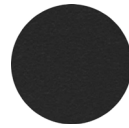
latte



natural

*custom finishes as specified*

## powder coat



mannex black



mannex white



oyster matt

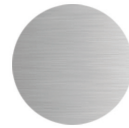


mannex suede

## foot rail



natural brass



stainless steel

## cap to feet



black cap



white cap

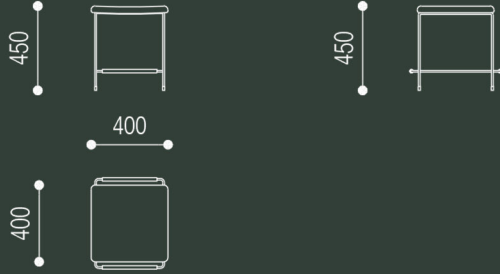


**grazia&co**<sup>®</sup>

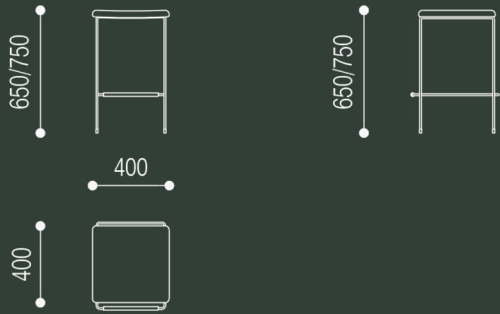
# technical specifications

---

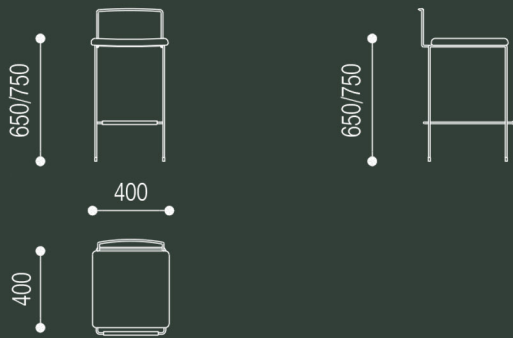
1



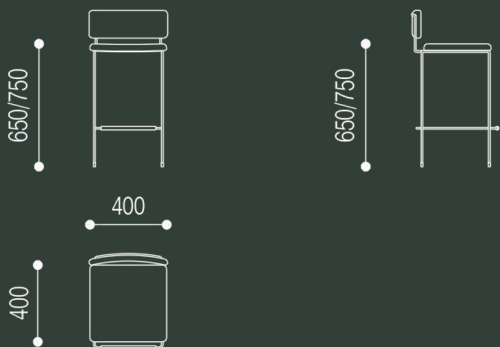
2



3



4



## dimensions

---

dita junior stool



dita junior stool

400l x 400w x 450h

dita no back stool



dita no back  
400l x 400w x 650sh



dita no back  
400l x 400w x 750sh

## dimensions

---

### dita open back stool



dita open back  
400l x 400w x  
650sh/820bh



dita open back  
400l x 400w x  
750sh/920bh

### dita upholstered back stool



dita upholstered  
back  
400l x 400w x  
650sh/820bh



dita upholstered  
back  
400l x 400w x  
750sh/920bh

sh - seat height  
bh - back height

*3d models available upon request*

**grazia&co**<sup>®</sup>

## product specifications

---

**designer**  
grazia&co

**design registration no**  
201616493 / 201616492/  
201616491 /201615714

**year designed**  
2016

### warranty

- i. warranty period of 3 years for the structural integrity of the furniture under 'normal use'
- ii. chipping and scratches on powder coated metal due to wear and tear are not warranted
- iii. metal pieces that are not specific to outdoor use that are exposed to the elements are not warranted
- iv. raw metals oxidise and tarnish over time and not considered faults of manufacture.

to view the full warranty please refer to the link below  
<https://graziaandco.com.au/terms-2/>

**craftmanship:** designed and manufactured in australia

### materials

**seat and backrest:** ply seat and backrest with foam and specified upholstery

**frame:** powder coated mild steel with brass or stainless steel footrail.

**lead time:** 8-10 weeks

**suitability:** indoor use



australian  
made

3

3 year  
warranty

grazia&co<sup>®</sup>

**designer**  
grazia&co

**design registration no**  
201616493 / 201616492/  
201616491 /201615714

**year designed**  
2016

### house leather care

protect from direct sunlight, heat and weather. dust with a clean dry cloth or use the soft brush attachment on your vacuum cleaner. remove all liquid and food spills immediately. wipe with a clean cloth dampened with proprietary brand leather cleaner suitable for a surface finish leather.

### house vinyl care

maintaining and care of the upholstery should be done by regular vacuuming to remove dust and dirt. spot cleaning should be done immediately after a spill. first spot clean with mild soap and water. using a sponge to remove the stains, rinse with clean water.

suntan lotions and sprays such as insect repellants may discolour the fabric. acid based liquids such as coffee, wine and fruit juice need to be wiped off immediately. the longer a stain or spill remains on the fabric the more difficult it can be to remove. do not use abrasive alcohol based or solvent based cleaners.

### sheepskin

store away from direct sunlight and high heat sources, such as blow dryers and radiators. never rub or brush sheepskin when it's wet. to clean up small spills on your sheepskin upholstery, wipe with a damp cloth, and gently pluck any debris from the suede with tweezers. never use hot water. this causes permanent damage by stripping the natural oil, (lanolin) from the pelt making it very hard and rough. for professional cleaning, select a cleaner that specialises in leather/suede/fur.



australian  
made



no direct  
sunlight



do not dry  
clean



do not  
machine  
wash



do not iron

## finishes & product care

---

**designer**  
grazia&co

**design registration no**  
201616493 / 201616492/  
201616491 /201615714

**year designed**  
2016

### custom specified upholstery

please refer to individual suppliers for information on care and maintenance of fabrics that have been specified by a designer, as these will be outside the standard grazia&co range. most interior upholstery fabric should be regularly vacuumed and kept away from direct sunlight.

### powder coated items care

wash as required with warm soapy water using a soft clean cloth. for marine or commercial environments, we recommend regular cleaning. do not pressure wash or steam items that are powder coated. if powder coating chips due to a knock and / or rough treatment this is not covered by warranty. touch up paint can be purchased on request (depending on availability). scratches and chips should be repaired as soon as they appear.

please visit grazia&co website for further details.  
<https://graziaandco.com.au/care-and-maintenance/>



australian  
made



no direct  
sunlight



do not dry  
clean



do not  
machine  
wash



do not iron

grazia&co<sup>®</sup>